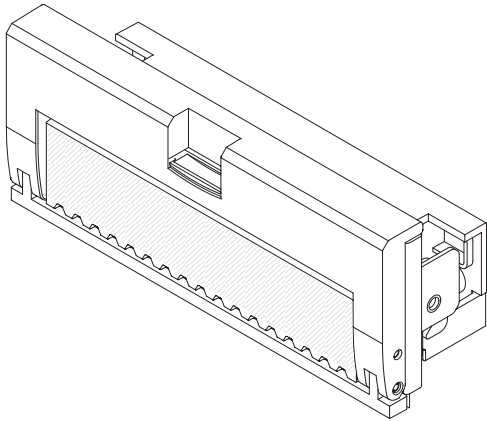




Flex System X6 Scalability and Performance Connector Kit

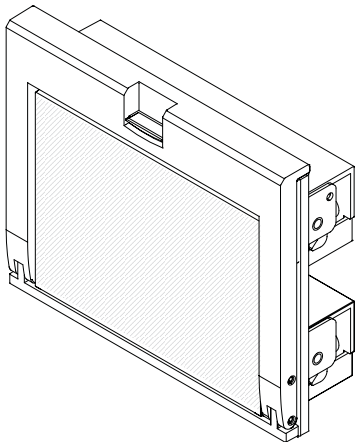
Use the Flex System X6 Scalability and Performance Connector Kit to combine up to two Lenovo® Flex System x480 X6 compute nodes or four Flex System x880 X6 compute nodes to form a multi-node configuration, or accelerate the performance of a single Flex System x480 X6 or Flex System x880 X6 compute node. The kit comes with this document, the Lenovo *Documentation* CD which provides safety, support, and warranty information for your product, and one of the following Flex System X6 Scalability and Performance Connectors:

- **Flex System X6 2-Socket Performance Accelerator**



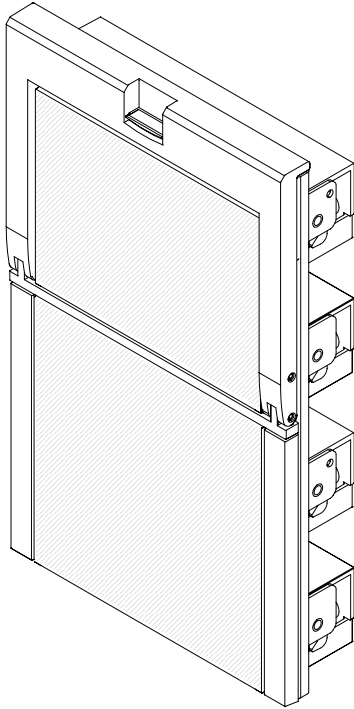
Note: The single compute node must have Intel Xeon E7-4800v3 microprocessors, or E7-8800v3 microprocessors to support the Flex System X6 2-Socket Performance Accelerator.

- **Flex System X6 4-Socket Scalability Connector**



Important: The compute nodes must have Intel Xeon E7-4800v3 microprocessors or E7-8800v3 microprocessors to form a two-node (four-socket) complex.

- **Flex System X6 8-Socket Scalability Connector**



Important: The compute nodes must have Intel Xeon E7-8800v3 microprocessors to form a four-node (eight-socket) complex.

For information about installing the Flex System X6 Scalability and Performance Connector, see “Installing a Flex System X6 Scalability and Performance Connector”, in the *Lenovo Flex System x280 X6, x480 X6, and x880 X6 Compute Node Types 7196 and 4258 Installation and Service Guide*.

First Edition, May 2015

Copyright Lenovo 2015. Portions copyright IBM Corporation 2014, 2015.

LIMITED AND RESTRICTED RIGHTS NOTICE: If data or software is delivered pursuant a General Services Administration “GSA”; contract, use, reproduction, or disclosure is subject to restrictions set forth in Contract No. GS-35F-05925.

Lenovo, the Lenovo logo, and Flex System are trademarks of Lenovo in the United States, other countries, or both.

Printed in the USA

(1P) P/N: 00WA206

